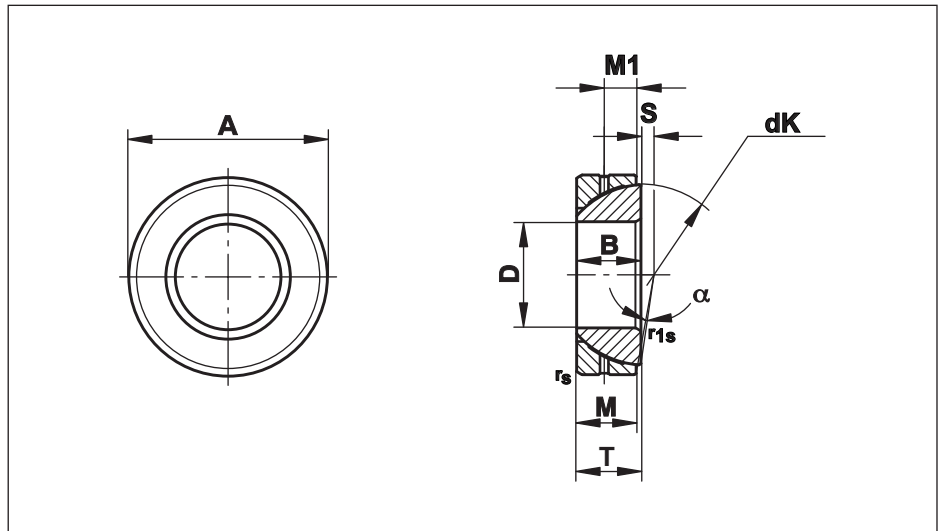


Bạc cầu đỡ chặn tiếp xúc - Hoàn toàn bằng thép

Series GE...SX

Bạc cầu đỡ chặn tiếp xúc
góc bằng thép
Gia công bằng molybdenum disulphide mos₂,
tự bôi trơn

Ứng dụng tải trọng
một chiều, hướng kính,
hướng trục



Kích cỡ (D)	B	M	A	T	S	M1	r _s , r _{1s} min	d _k	Tải trọng hướng kính		Góc xoay tối đa Angle α (°)	Trọng lượng (g)
									Tính C ₀	Động C		
25 ⁰ _{-0,012}	15	14,0	47 ⁰ _{-0,014}	15 ^{+0,25} _{-0,40}	0,6	7,5	1,0	42,0	250	50	2,5	148
28 ⁰ _{-0,012}	15	15,0	52 ⁰ _{-0,016}	16 ^{+0,25} _{-0,40}	1,0	8,0	1,0	47,0	300	60	2,0	186
30 ⁰ _{-0,012}	17	15,0	55 ⁰ _{-0,016}	17 ^{+0,25} _{-0,40}	1,3	8,5	1,0	49,5	315	63	4,5	208
32 ⁰ _{-0,012}	17	16,0	58 ⁰ _{-0,016}	17 ^{+0,25} _{-0,40}	2,0	8,5	1,0	52,0	354	71	2,0	241
35 ⁰ _{-0,012}	18	16,0	62 ⁰ _{-0,016}	18 ^{+0,25} _{-0,40}	2,1	9,0	1,0	55,5	390	78	4,0	268
40 ⁰ _{-0,012}	19	17,0	68 ⁰ _{-0,016}	19 ^{+0,25} _{-0,40}	2,8	9,5	1,0	62,0	463	92	3,5	327
45 ⁰ _{-0,012}	20	18,0	75 ⁰ _{-0,016}	20 ^{+0,25} _{-0,40}	3,5	10,0	1,0	68,5	540	108	3,0	416
50 ⁰ _{-0,012}	20	19,0	80 ⁰ _{-0,016}	20 ^{+0,25} _{-0,40}	4,3	10,0	1,0	74,0	618	123	1,5	455
55 ⁰ _{-0,015}	23	20,0	90 ⁰ _{-0,018}	23 ^{+0,25} _{-0,50}	5,0	11,5	1,1	82,0	721	144	4,0	645
60 ⁰ _{-0,015}	23	21,0	95 ⁰ _{-0,018}	23 ^{+0,25} _{-0,50}	5,7	11,5	1,1	88,5	817	163	2,5	714
65 ⁰ _{-0,015}	23	22,0	100 ⁰ _{-0,018}	23 ^{+0,25} _{-0,50}	6,5	11,5	1,1	93,5	905	180	1,0	759
70 ⁰ _{-0,015}	25	23,0	110 ⁰ _{-0,018}	25 ^{+0,25} _{-0,50}	7,2	12,5	1,1	102,0	1030	206	2,0	1040
75 ⁰ _{-0,015}	25	24,0	115 ⁰ _{-0,018}	25 ^{+0,25} _{-0,50}	7,9	12,5	1,1	107,0	1129	220	1,0	1120
80 ⁰ _{-0,015}	29	25,5	125 ⁰ _{-0,020}	29 ^{+0,25} _{-0,50}	8,6	14,5	1,1	115,0	1290	258	3,5	1540
85 ⁰ _{-0,020}	29	26,5	130 ⁰ _{-0,020}	29 ^{+0,25} _{-0,60}	9,4	14,5	1,1	122,0	1422	284	2,0	1610
90 ⁰ _{-0,020}	32	28,0	140 ⁰ _{-0,020}	32 ^{+0,25} _{-0,60}	10,1	16,0	1,5	128,5	1580	316	3,5	2090
95 ⁰ _{-0,020}	32	29,5	145 ⁰ _{-0,020}	32 ^{+0,25} _{-0,60}	10,8	16,0	1,5	135,0	1750	350	2,0	2220
100 ⁰ _{-0,020}	32	31,0	150 ⁰ _{-0,020}	32 ^{+0,25} _{-0,60}	11,6	16,0	1,5	141,0	1923	384	0,5	2340
105 ¹⁾ _{-0,020}	35	32,5	160 ⁰ _{-0,025}	35 ^{+0,25} _{-0,60}	12,3	17,5	2,0	148,0	2116	423	2,0	2930
110 ¹⁾ _{-0,020}	38	34,0	170 ⁰ _{-0,025}	38 ^{+0,25} _{-0,60}	13,0	19,0	2,0	155,0	2318	463	3,0	3680
120 ¹⁾ _{-0,020}	38	37,0	180 ⁰ _{-0,025}	38 ^{+0,25} _{-0,60}	14,5	19,0	2,0	168,0	2735	547	0,5	3970
130 ¹⁾ _{-0,025}	45	43,0	200 ⁰ _{-0,030}	45 ^{+0,35} _{-0,70}	18,0	19,0	2,5	188,0	3550	710	1,0	5920
140 ¹⁾ _{-0,025}	45	43,0	210 ⁰ _{-0,030}	45 ^{+0,35} _{-0,70}	19,0	19,0	2,5	198,0	3740	740	1,0	6330
150 ¹⁾ _{-0,025}	48	46,0	225 ⁰ _{-0,030}	48 ^{+0,35} _{-0,70}	20,0	20,5	3,0	211,0	4270	850	1,0	8010
160 ¹⁾ _{-0,025}	51	49,0	240 ⁰ _{-0,030}	51 ^{+0,35} _{-0,70}	20,0	22,0	3,0	225,0	4850	970	1,0	9790
170 ¹⁾ _{-0,025}	57	55,0	260 ⁰ _{-0,035}	57 ^{+0,35} _{-0,70}	21,0	27,0	3,0	246,0	5950	1190	1,0	12300
180 ¹⁾ _{-0,025}	64	61,0	280 ⁰ _{-0,035}	64 ^{+0,35} _{-0,70}	21,0	28,0	3,0	260,0	6970	1395	1,0	17400
190 ¹⁾ _{-0,030}	64	62,0	290 ⁰ _{-0,035}	64 ^{+0,35} _{-0,80}	26,0	30,0	3,0	275,0	7500	1500	0,5	18200
200 ¹⁾ _{-0,030}	70	66,0	310 ⁰ _{-0,035}	70 ^{+0,35} _{-0,80}	26,0	30,0	3,0	290,0	8420	1680	1,5	23800

Chất liệu:

Housing disk: Thép chịu lực 100Cr6, Aisi 52100, cứng, sơn nền, phốt phát hóa gia công bằng molybdenum disulphide

Inner disk: Thép chịu lực 100Cr6, Aisi 52100, cứng, sơn nền, phốt phát hóa gia công bằng molybdenum disulphide